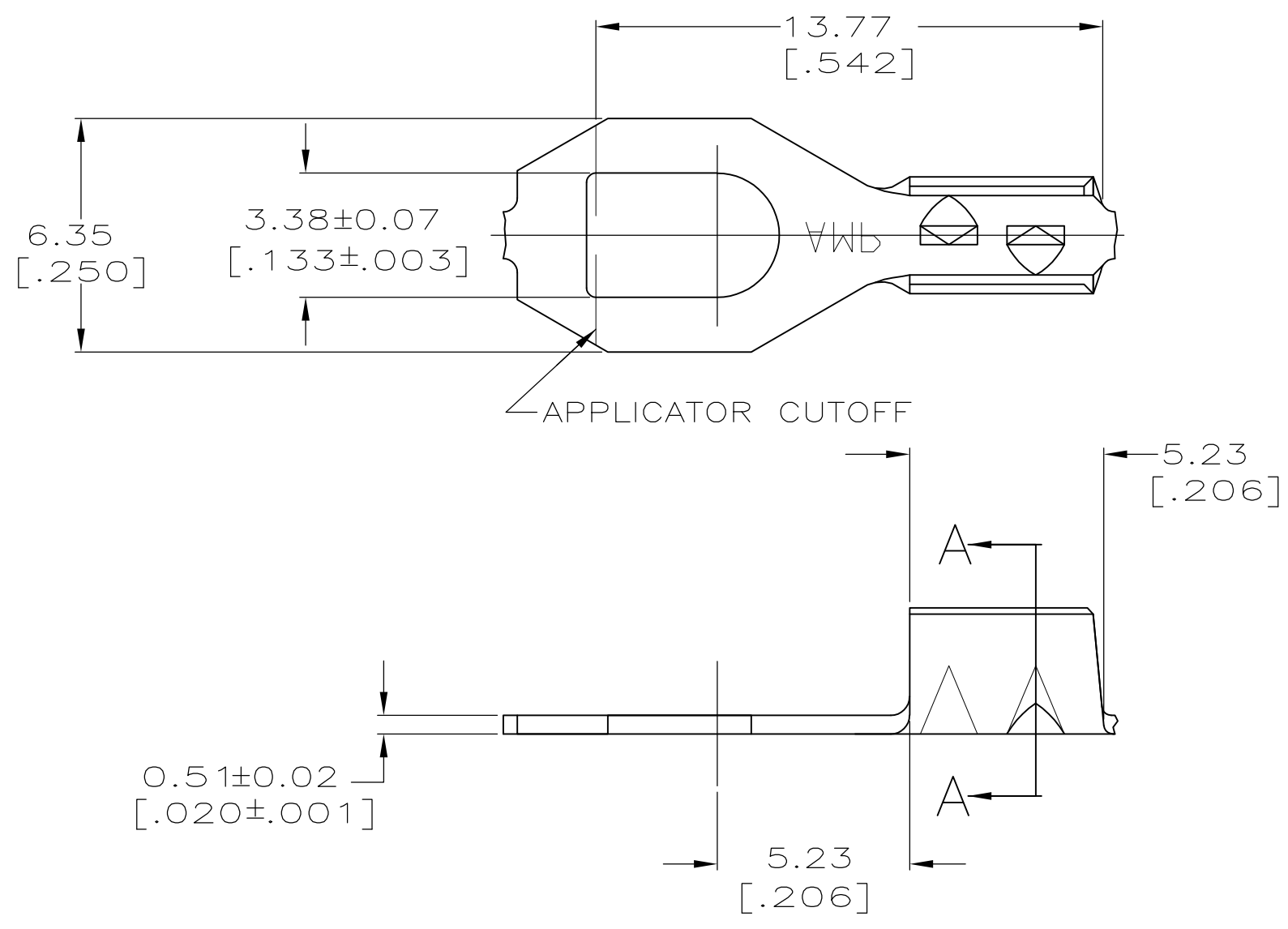
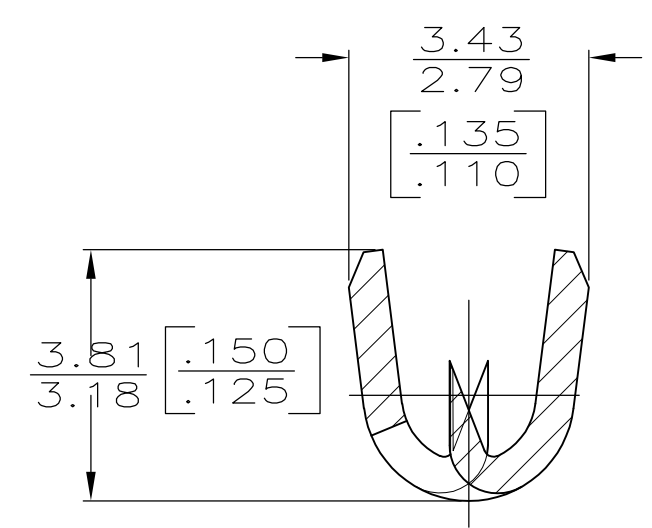


THIS DRAWING IS UNPUBLISHED. RELEASED FOR PUBLICATION
 © COPYRIGHT BY TYCO ELECTRONICS CORPORATION. ALL INTERNATIONAL RIGHTS RESERVED.

LOC	DIST	REVISIONS			
P	LTR	DESCRIPTION	DATE	DWN	APVD
AF	50	G	REVISED PER ECR-10-006099	07JUL10	HMR PD



1 CONTINUOUS STRIP ON REELS



SECTION A-A
 SCALE 10:1

1.65-2.03 [.065-.080]	42339-2
INSULATION RANGE	PART NO

0	2.79 [.110]	THIS DRAWING IS A CONTROLLED DOCUMENT.		DWN	P FORTNEY	10/9/89	Tyco Electronics Corporation Harrisburg, PA 17105-3608
		DIMENSIONS:	TOLERANCES UNLESS OTHERWISE SPECIFIED:	CHK	JR RUTH	10/9/89	
TYPE	WIDTH	mm [INCHES]	0 PLC ± -	APVD	G YETTER	10/9/89	NAME
INSUL BARREL CRIMP			1 PLC ± -	PRODUCT SPEC	SPADE, INSULATION PIERCING		
			2 PLC ± -	APPLICATION SPEC	SIZE	CAGE CODE	DRAWING NO
			3 PLC ± 0.25 [.010]	WEIGHT	A3 00779 C-42339		
			4 PLC ± -	CUSTOMER DRAWING		SCALE	6:1
			ANGLES ± -			SHEET	1 OF 1
		MATERIAL	FINISH			REV	G
		#2 HARD BRASS	TIN				